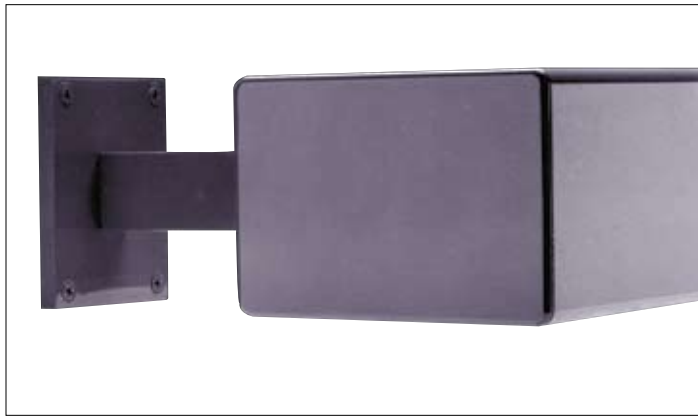


# LITESQUARE WALL MOUNT

## SPECIFICATIONS



**Housing:** Extruded aluminum in lengths up to 12-feet. Rows of more than 12-feet are joined internally with no visible fasteners. LS60 and LS80 series are direct units, LS62 and LS82 series are direct/indirect units.

**Reflector:** Up light has specular aluminum reflector. Down light has high reflectance powder coat paint.

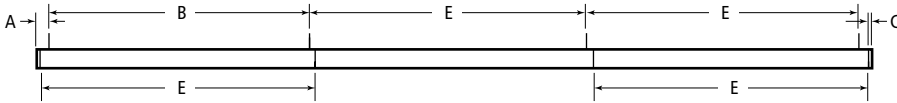
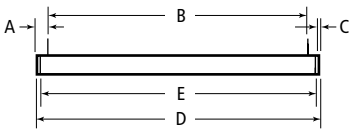
**Shielding:** Top of fixture can be open or covered by a clear acrylic lens. Downlight can be shielded by a prismatic acrylic lens(L), a white blade baffle (WB) or semi-specular parabolic baffle (PB).

**Mounting:** Wall Mount only.

**Electrical:** Instant start, normal light output, high power factor, sound rated A electronic ballast is standard. One-lamp ballast is 0.90 ballast factor, two, three and four-lamp ballasts are 0.88 ballast factor for 120 and 277 volt. One-lamp ballast is 1.17 ballast factor, two-lamp is 0.92, three-lamp is 0.97, and four-lamp is 0.85 for 347 volt.

**Finish:** Semi-gloss white powder coat paint is standard. Choose from a variety of standard colors on our color chart. Custom colors are available.

**Certification:** UL and CUL listed. IBEW labeled.

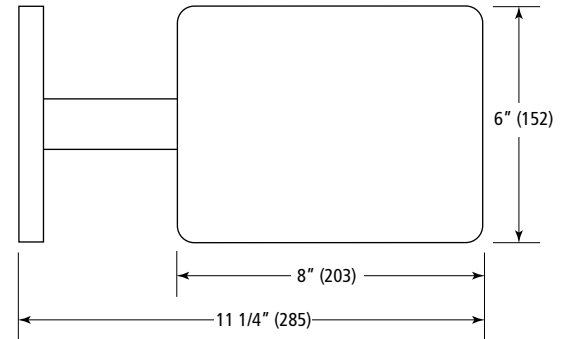
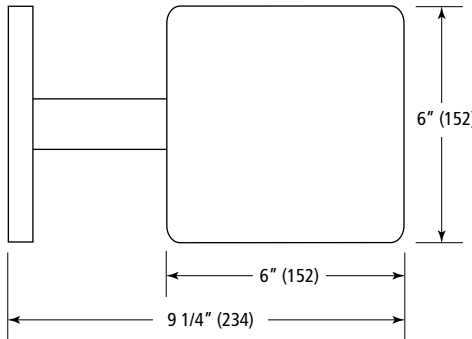
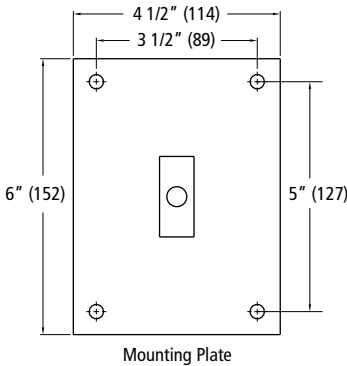


Litesquare Wall Mount

	A	B	C	D	E
4'	6 1/4"	38 1/2"	1/4"	51"	50 1/2"
	159	977	6	1294	1282
8'	6 1/4"	86 1/2"	1/4"	99"	98 1/2"
	159	2195	6	2513	2500
12'	6 1/4"	134 1/2"	1/4"	147"	146 1/2"
	159	3414	6	3731	3718

## MOUNTING DETAILS

## DIMENSIONS



## EXAMPLE

series	lamp configuration	shielding up	shielding down	mounting	length	finish	voltage	options
<b>LS602</b>	<b>2/T8</b>	<b>O</b>	<b>L</b>	<b>WM</b>	<b>4</b>	<b>SGW</b>	<b>120</b>	<b>GLR</b>
LS60	1	O-open	L-lens	WM-wall mount	4'	SGW-semi-gloss white	120	GLR-GLR fuse and HLR holder
LS62	2	L-clear	WB-white baffle		8'	(refer to color chart in Product Selection Guide for other standard colors)	277	GMF-GMF slow blow fuse and holder
LS80	3	acrylic lens	PB-parabolic baffle		12"	CC-custom color	Dual	EM1-B70A or equal
LS82	4						347	EM2-B50 or equal
	5							EM3-B100 or equal
	6							EM4-B60 or equal
	7							DIM1-Advance Mark VII dimming
	8							DIM2-Advance Mark X dimming
	9							DIM3-Lutron ECO-10 dimming ballast
	(see line drawings)							DIM4-Lutron Hi-Lume dimming ballast
								DIM5-Lutron ECO-10 TVE dimming ballast
								DIM6-Lutron Tu-Wire dimming ballast (for 32W, 120-volt only)

Due to a program of continuous improvement, LAM Lighting reserves the right to make any variation in design or construction to the equipment described.

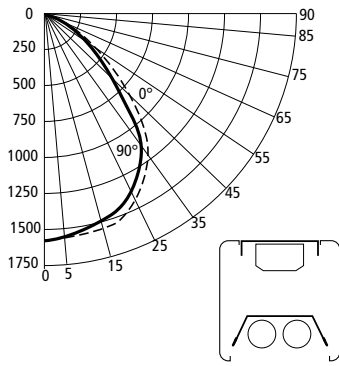
## ORDER

project name: \_\_\_\_\_ type: \_\_\_\_\_ quantity: \_\_\_\_\_

\_\_\_\_\_ - \_\_\_\_\_ - \_\_\_\_\_ - \_\_\_\_\_ - \_\_\_\_\_ - \_\_\_\_\_ - \_\_\_\_\_ - \_\_\_\_\_ - \_\_\_\_\_

PHOTOMETRICS

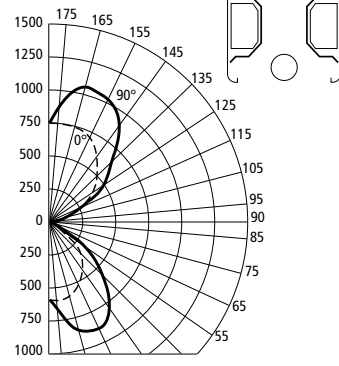
LS60-2-L



CANDELA DISTRIBUTION

	0	22	45	67	90
90°	0	0	0	0	0
85°	39	34	32	26	26
75°	97	123	110	106	86
65°	192	183	163	168	167
55°	432	355	323	338	375
45°	812	768	708	695	689
35°	1217	1201	1180	1150	1138
25°	1437	1422	1406	1390	1384
15°	1551	1543	1536	1521	1501
5°	1579	1574	1580	1569	1571
0°	1582	1582	1582	1582	1582

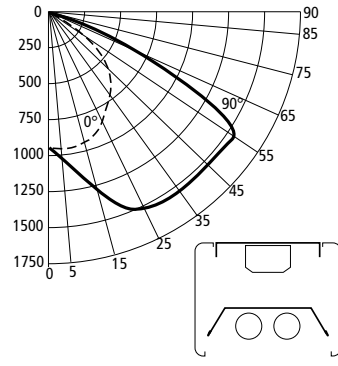
LS62-2-PB



CANDELA DISTRIBUTION

	0	22	45	67	90
180°	755	755	755	755	755
175°	756	744	808	836	845
165°	743	868	981	1046	1044
155°	690	910	998	1011	1015
145°	615	882	918	928	921
135°	494	726	740	645	647
125°	399	589	520	503	494
115°	258	352	311	283	275
105°	131	170	150	129	125
95°	25	40	40	43	42
90°	0	0	0	0	0
85°	0	2	2	3	3
75°	5	11	12	14	16
65°	21	37	54	66	65
55°	156	265	299	289	292
45°	339	517	536	531	550
35°	452	662	749	768	781
25°	520	713	789	854	881
15°	571	672	790	844	844
5°	598	599	627	653	660
0°	591	591	591	591	591

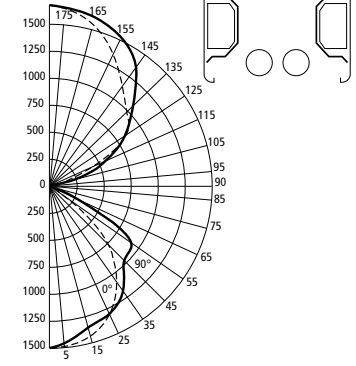
LS80-2-PB



CANDELA DISTRIBUTION

	0	22	45	67	90
90°	0	0	0	0	0
85°	4	5	6	8	8
75°	12	14	20	39	76
65°	30	40	150	366	459
55°	318	436	650	777	829
45°	729	779	911	985	1035
35°	990	1035	1131	1210	1251
25°	1156	1178	1226	1282	1309
15°	1275	1285	1309	1329	1322
5°	1322	1320	1329	1326	1329
0°	1327	1327	1327	1327	1327

LS82-4-PB



CANDELA DISTRIBUTION

	0	22	45	67	90
180°	1684	1684	1684	1684	1684
175°	1683	1678	1680	1669	1670
165°	1655	1640	1624	1606	1566
155°	1533	1504	1425	1375	1358
145°	1358	1316	1210	1167	1150
135°	1078	1008	928	929	990
125°	852	768	816	919	864
115°	539	507	531	466	434
105°	256	306	208	168	152
95°	40	40	53	53	54
90°	0	0	0	0	0
85°	6	9	18	14	19
75°	20	26	32	43	58
65°	34	44	160	333	414
55°	308	420	649	797	915
45°	774	765	858	920	980
35°	1098	1059	1110	1152	1169
25°	1301	1265	1238	1282	1308
15°	1448	1425	1417	1408	1385
5°	1504	1501	1495	1484	1483
0°	1507	1507	1507	1507	1507

ZONAL LUMEN SUMMARY

Zone	Lumens	% Fixture Output	% Lamp Output
0-90°	3183	100.0	50.5
90-180°	0	0.0	0.0
0-180°	3183	100.0	50.5

ZONAL LUMEN SUMMARY

Zone	Lumens	% Fixture Output	% Lamp Output
0-90°	1769	38.7	28.1
90-180°	2799	61.3	44.4
0-180°	4568	100.0	72.5

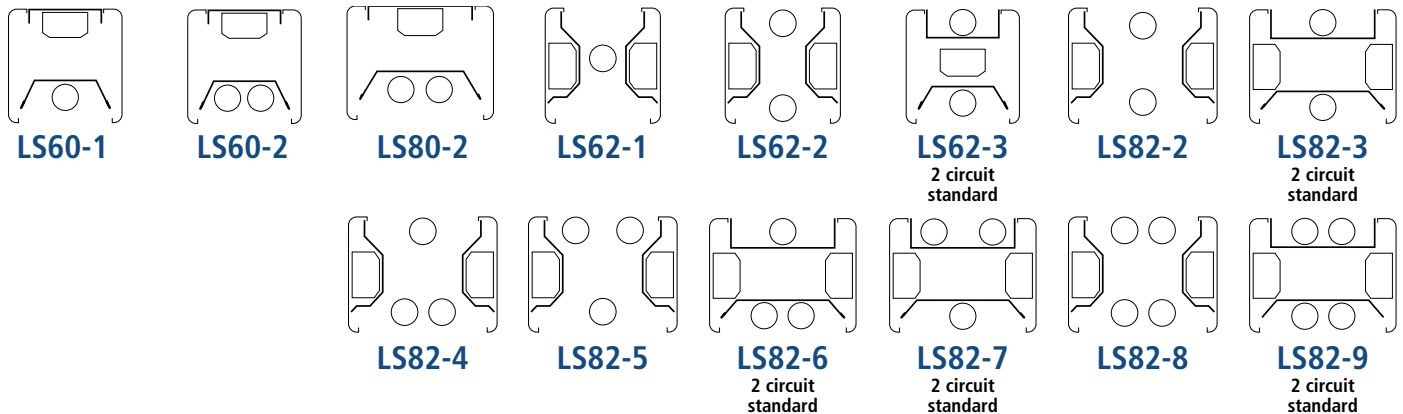
ZONAL LUMEN SUMMARY

Zone	Lumens	% Fixture Output	% Lamp Output
0-90°	3252	100.0	51.6
90-180°	0	0	0
0-180°	3252	100.0	51.6

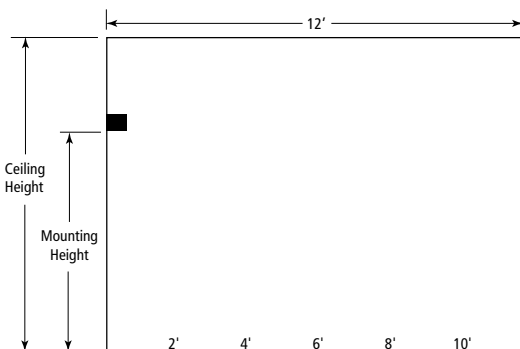
ZONAL LUMEN SUMMARY

Zone	Lumens	% Fixture Output	% Lamp Output
0-90°	3298	43.1	34.9
90-180°	4350	56.9	46.0
0-180°	7648	100.0	80.9

LAMP CONFIGURATIONS



APPLICATION DATA



LS601-T8-L-4, 1-Lamp, F32T8, 2950 lumens per lamp, 0.77 LLF, 0.90 Ballast Factor

POWER DENSITY IS 0.4 WATTS PER SQUARE FOOT

Ceiling Height	Mounting Height	Distance from Wall				Fixture Spacing: 6'	
		2'	4'	6'	8'	Floor Average	Adjacent Wall Average
9'	8'	9	8	6	4	7	6
10'	8'	9	7	5	3	6	5
10'	9'	8	7	6	4	6	4

Reflectance: 80/50/20

Light Loss Factor - 0.95 room depreciation, 0.95 fixture depreciation, 0.95 lamp depreciation, 0.90 ballast factor = 0.77 total LLF