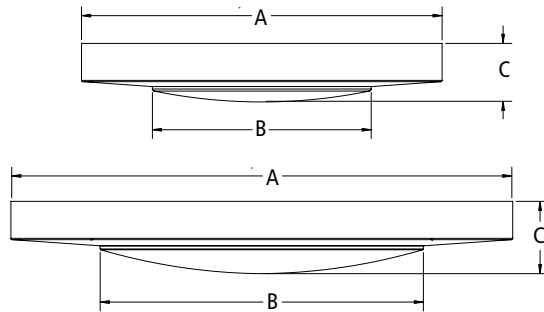


SPECIFICATIONS



Housing: Housing is 18-gauge spun steel with no visible hardware.
Lens: Drop diffuser is formed white opal acrylic. Drop perforated steel diffuser is also available.
Optics: Biaxial lamps are available in two wattages. Circular T5 and T5HO lamps are available in three wattages.
Mounting: Fixture mounts directly to wall or ceiling.
Electrical: Fluorescent ballasts are instant start, normal light output, high power factor, and sound rated A. Ballast factor varies between 0.84 and 1.20 depending on lamp wattage, number of lamps, and voltage.
Finish: Standard colors are available from color chart. Custom colors are available.
Certification: UL and CUL listed and IBEW labeled.



DIMENSIONAL DATA TABLE

Diameter	A	B	C
20"	20-1/2"	12-1/2"	3-3/8"
	520	318	86
28"	28-3/8"	18-3/8"	4"
	721	466	102

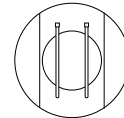
LAMP CONFIGURATIONS



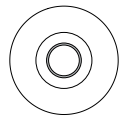
SL20-2BX



SL20-CIR



SL28-2BX



SL28-CIR

EXAMPLE

fixture series	lamps	lens	mounting type	housing finish	voltage	options
SL28	2/39BX	DRA	WM	NAP	120	DIM1
SL20	2/27BX 2/39BX 22CIR	DRA-drop white opal acrylic lens DRP-drop white perforated metal diffuser	WM-wall mount CM-ceiling mount	NAP-natural aluminum paint (refer to color chart in Product Selection Guide for other standard colors) CC-custom color	120 277	GLR-GLR fuse and HLR holder GMF-GMF slow blow fuse and holder EM1-B70A or equal EM2-B50 or equal EM3-B100 or equal EM4-B60 or equal EM8-LP 600 or equal DIM1-Advance Mark VII dimming DIM2-Advance Mark X dimming
SL28	40CIR 55CIR 2/39BX					

Due to a program of continuous improvement, LAM Lighting reserves the right to make any variation in design or construction to the equipment described.

EMERGENCY POWER

Fixture Diameter	Lamps	Battery Location	Limitations
20	22	Remote	EM8 only
20	2/27	Integral	1 circuit (1 ballast, EM1, 3, 4 only)
20	2/39	Integral	1 circuit (1 ballast, EM1, 3, 4 only)
28	40	Remote	EM8 only
28	55	N/A	
28	2/39	Integral	1 circuit (1 ballast, EM1, 2, 3, 4 only)

DIMMING

Fixture Diameter	Lamps	DIM1	DIM2
20	22	No	No
20	2/27	No	No
20	2/39	Yes	Yes
28	40	No	No
28	55	Yes	Yes
28	2/39	Yes	Yes

ORDER

project name: _____ type: _____ quantity: _____

_____ - _____ - _____ - _____ - _____ - _____ - _____