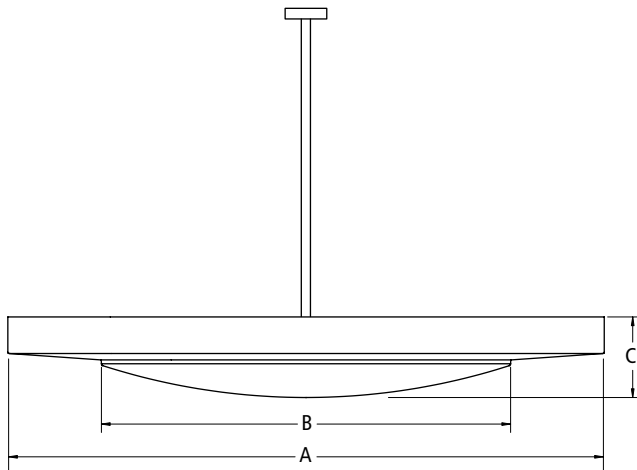


SPECIFICATIONS



Housing: Housing is 18-gauge spun steel with no visible hardware.
Lens: Drop diffuser is formed white opal acrylic. Drop perforated steel diffuser is also available. An internal dust shield between the lamps and the diffuser keeps dirt and debris from the diffuser and allows for easy cleaning. The dust shield is clear stippled acrylic for the opal acrylic lens or white opal acrylic for the perforated diffuser. Diffuser and internal dust shield are mechanically held in place. Dust cover is optional.

Optics: Biaxial lamps provide a wide beam spread and are available in five wattages. CFL lamps are available in three wattages and can be adjusted on 20" and 28" models to vary the amount of direct illumination. Biaxial lamps will provide more even illumination of the diffuser compared to the CFL lamps.

Suspension: 5/8" OD stem with 30 degree swivel at canopy. Stem and canopy finish to be specified. Aircraft cable suspension is optional and is provided with white cord with pigtail approximately 6-inches longer than the suspension length. Recommended suspension is 18" or more for best ceiling uniformity. (Cable suspension is adjustable)

Electrical: Fluorescent ballasts are instant start, normal light output, high power factor, and sound rated A. Ballast factor varies between 0.86 and 1.13 depending on lamp wattage, number of lamps, and voltage. See application data on pages 11 and 12 or consult factory for specific ballast factor.

Finish: Standard colors are available from color chart. Custom colors are available. Specify finish of housing and suspension with canopy.

Certification: UL and CUL listed and IBEW labeled.

DIMENSIONAL DATA TABLE

Diameter	A	B	C
20"	20-1/2"	12-1/2"	3-3/8"
	520	318	86
28"	28-3/8"	18-3/8"	4-1/8"
	721	466	104
35"	35-3/8"	24-3/8"	4-3/4"
	899	619	122

EXAMPLE

fixture series	lamps	lens	suspension type	length	housing finish	suspension finish	voltage	options
SL28	4/42CFL	DRA	SO	XX"	NAP	NAP	120	EM1
SL20	4/32CFL 4/42CFL 2/27BX 2/39BX	DRA-drop white opal acrylic lens DRP-drop white perforated metal diffuser	SO-stem only CB-aircraft cable with white cord DBSO-double chandelier, stem only TRSO-triple chandelier, stem only QDSO-quad chandelier, stem only	Ceiling to top of fixture in inches	NAP-natural aluminum paint (refer to color chart in Product Selection Guide for other standard colors) CC-custom color	NAP-natural aluminum paint (refer to color chart in Product Selection Guide for other standard colors) CC-custom color	120 277	GLR-GLR fuse and HLR holder GMF-GMF slow blow fuse and holder DC -dust cover HBF-high ballast factor ballast (1.13, for 3 or 6 lamp 40W only) EM1-B70A or equal EM2-B50 or equal EM3-B100 or equal EM4-B60 or equal EM9-B75C or equal (remote 70W CFL only) DIM1-Advance Mark VII dimming DIM2-Advance Mark X dimming DIM3-Lutron ECO-10 dimming ballast DIM4-Lutron Hi-Lume dimming ballast DIM5-Lutron TVE dimming ballast (for 35" 40W BX only, see opposite page for emergency and dimming limitations)
SL28	4/32CFL 4/42CFL 4/70CFL 3/39BX 3/40BX 3/50BX 3/55BX							
SL35	4/32CFL 4/42CFL 4/70CFL 8/32CFL 8/42CFL 4/39BX 4/40BX 4/50BX 4/55BX 6/39BX 6/40BX 6/50BX 6/55BX							

Note:
35-inch diameter models do not have adjustable optics

Due to a program of continuous improvement, LAM Lighting reserves the right to make any variation in design or construction to the equipment described.

ORDER

project name: _____ type: _____ quantity: _____

- - - - - - - -