



LX32-DI-CA22-SO



LX32-DI-CA22-CB



LX32-DI-CA16-SO



LX32-DI-CA16-CB



LX25-DI-CA16-SO



LX25-DI-CA16-CB

CEILING CANOPY



The conical lenses are designed to significantly reduce glare.

Use direct/indirect lighting where maximum horizontal foot candle levels are required at the work plane while enhancing the vertical foot candle levels through the efficient reflection of uplight from light colored ceiling and wall surfaces.

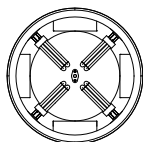
SPECIFICATIONS



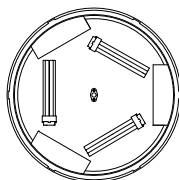
Housing: Fixture housing is spun 18 gauge cold rolled steel with rounded corners and smooth sides.
Lens: Conical acrylic lens is injection molded, with linear prisms, held securely in place with no visible fasteners.
Electrical: Class P, sound rated A, electronic ballast. PL-H ballast is high performance (1.0 ballast factor). 70-Watt CFL (0.96 ballast factor) and 42-Watt CFL (0.97 ballast factor) ballasts are high performance.
Housing Finish: Gloss white powder coat paint is standard.
Suspension: 5/8" OD stem mounting with 30 degree swivel at canopy, painted gloss white. Aircraft cable mountings are supplied with a snap hook or ceiling canopy, painted gloss white. Specify mounting length from the ceiling to the top of the fixture.
Listings: UL and CUL listed for damp location. IBEW labeled.



LAMP CONFIGURATIONS



LX25-4-70CFL



LX32-3-120PLH

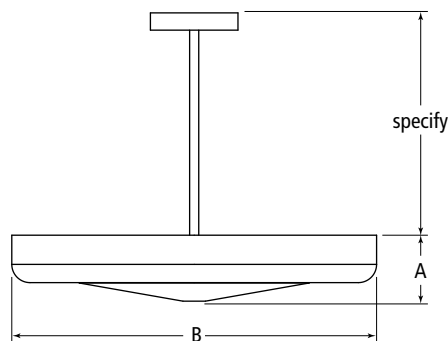
SNAP HOOK



CANOPY



DIMENSIONS



	A	B
LX25-CA16	4 11/16 (119)	25 (635)
LX32-CA16	4 11/16 (119)	32 (813)
LX32-CA22	5 3/16 (131)	32 (813)

EXAMPLE

fixture size	lamp	optics	lens	suspension type	length	housing finish	voltage	options
LX32	3/120PLH	DI	CA16	SO	XX"	GW	120	GLR
LX32-32" dia	3/120PLH-three 120-watt fluorescent PL-H 3/85PLH-three 85-watt fluorescent PL-H	DI-direct/indirect	CA22-22" Conical Acrylic Lens (32" only) CA16-16" Conical Acrylic Lens	SO-stem only CB-aircraft cable with snap hook, 3-wire power feed cord with pigtail (no ceiling canopy) CBC-aircraft cable with ceiling canopy, 3-wire power feed cord with pigtail	XX"-specify length in inches from ceiling to top of fixture	GW-gloss white is standard (refer to color chart in Product Selection Guide for other standard colors) CC-custom color	120 277	GLR-GLR fixture fuse GMF-slow blow fixture fuse CP-8' white cord with straight plug WG-top wire guard (painted white) DIM1-Advance Mark VII dimming ballast (Not available for PL-H) DIM2-Advance Mark X dimming ballast (Not available for PL-H) DIM4-Lutron Hi-Lume dimming ballast (42W CFL only) EM10-B94 or equal (42W CFL only) 2CIR-two circuit wiring (PL-H, or CFL) 3CIR-three circuit wiring (PL-H) DC-dust cover SSC-seismic safety cable (for SO suspension type only)
LX25-25" dia	4/70CFL-four 70-watt compact fluorescent 4/42CFL-four 42-watt compact fluorescent							

Due to a program of continuous improvement, LAM Lighting reserves the right to make any variation in design or construction to the equipment described.

ORDER

project name: _____ type: _____ quantity: _____

- - - - - - - - -