

SPECIFICATIONS



Housing: Low profile 20-gauge spun steel.

Reflector: Upright reflector is a combination of high reflectance specular aluminum and high reflectance white powder coat paint. Downlight reflector for two 26-Watt compact fluorescent lamps is semi-specular aluminum.

Optics: Maximum candlepower at 135 degrees to minimize brightness on ceiling above fixture and maximize fixture spacing. Recommended suspension is 24" or more.

Lens: Downlight lens on LDCD units is clear 1/8" borosilicate glass with a 1" frosted band around the bottom perimeter and frosted edges.

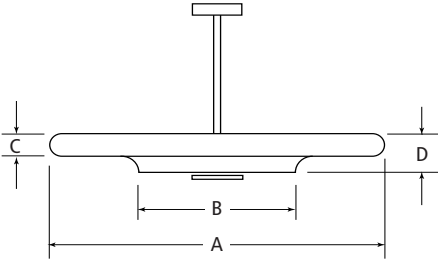
Pendant Suspension: 5/8" OD stem with 30 degree swivel at canopy for single pendant units and 1" stem for chandelier units. Stem and canopy finish to be specified.

Arm Sconce Suspension: Wall mount only.

Electrical: Fluorescent ballasts are instant start, normal light output, high power factor and sound rated A. Ballast factor varies between 0.86 and 0.90 depending on lamp wattage, number of lamps, and voltage. Consult factory for specific ballast factor.

Finish: Standard colors are available from color chart. Plated finishes and custom colors are available. Specify finish of housing and suspension with canopy.

Certification: UL and CUL listed and IBEW labeled.

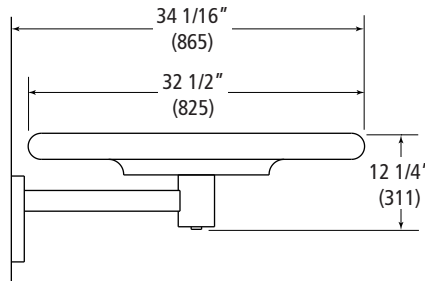


PENDANT DIMENSIONS

Diameter	A	B	C	D
30"	32 1/2"	14"	2 1/2"	4"
	825	356	63	102
36"	38 1/2"	20"	2 1/2"	4"
	977	508	63	102
60"	60"	48"	2 1/2"	4"
	1524	1219	63	102

Note: Downlight adds 1-1/2" to D dimension.

WALL MOUNT DIMENSIONS



EXAMPLE

fixture series	lamps up	lamps down	suspension style	suspension length	housing finish	suspension finish	voltage	options
LDC30	4/39BX	N/A	SO	XX"	SGW	SGW	120	GLR
LDC30	4/39BX	N/A (LDC)	SO -stem only	Ceiling to top of fixture in inches	SGW -semi-gloss white (refer to color chart in Product Selection Guide for other standard colors)	SGW -semi-gloss white (refer to color chart in Product Selection Guide for other standard colors)	120	GLR -GLR fuse and HLR holder
LDCD30	6/39BX	2/26CFL (LDCD)	DBSO -double chandelier, stem only				277	GMF -GMF slow blow fuse and holder
LDC36	4/39BX		TRSO -triple chandelier, stem only				347	DC -dust cover
LDCD36	6/39BX		QDSO -quad chandelier, stem only				(40W only)	EM1 -B70A or equal
	4/40BX		DBRB -double chandelier, stem with vertical rods					EM2 -B50 or equal
	6/40BX		TRRB -triple chandelier, stem with vertical rods					EM3 -B100 or equal
	4/50BX		QDRB -quad chandelier, stem with vertical rods					EM4 -B60 or equal
	6/50BX		WMA - wall mount arm (for 30" only)					DIM1 -Advance Mark VII dimming
	4/55BX							DIM2 -Advance Mark X dimming
	6/55BX							DIM3 -Lutron ECO-10 dimming ballast
LDC60	8/40BX							DIM4 -Lutron Hi-Lume dimming ballast
LDCD60	8/50BX							DIM5 -Lutron ECO-10 TVE dimming ballast
	8/55BX							

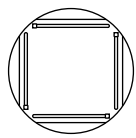
Due to a program of continuous improvement, LAM Lighting reserves the right to make any variation in design or construction to the equipment described.

ORDER

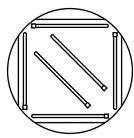
project name: _____ type: _____ quantity: _____

_____ - _____ - _____ - _____ - _____ - _____ - _____ - _____ - _____

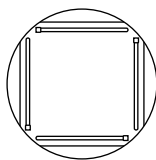
LAMP CONFIGURATIONS



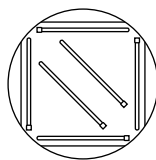
30" 4-LAMP



30" 6-LAMP

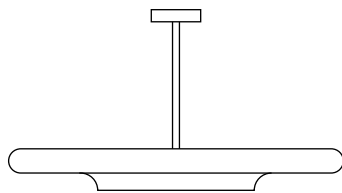


36" 4-LAMP

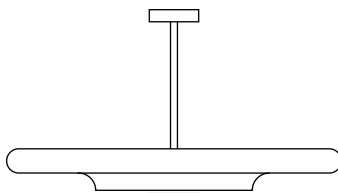


36" 6-LAMP

STYLES

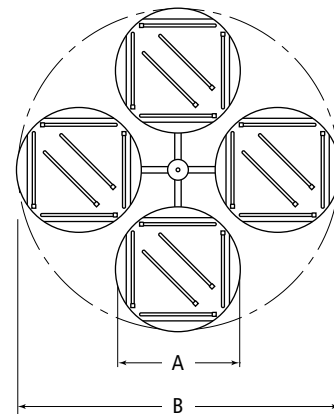
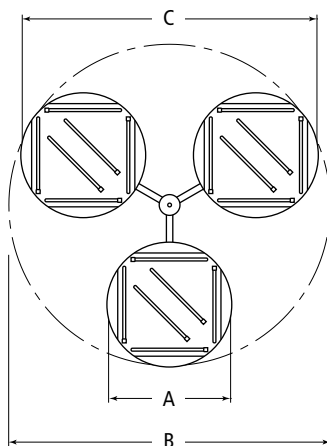
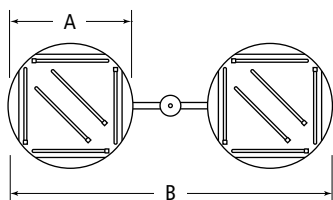


LDC



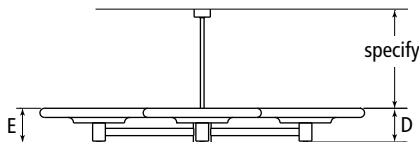
LDCD

CHANDELIERS



ARM CHANDELIER DIMENSION DATA

Diameter	A	B	C	D	E
30"	32 1/2"	89 3/16"	81 5/8"	9 1/4"	9 3/4"
	825	2265	2073	235	248
36"	38 1/2"	105"	96 1/8"	9 1/4"	9 3/4"
	977	2667	2442	235	248



LDC EMERGENCY POWER

Fixture Diameter	Uplight lamps	Downlight lamps	Battery Location	Limitations
30	4/39	N/A	Integral	3 circuit (3 ballast) max
30	6/39	N/A	Integral	3 circuit (3 ballast) max
36	4/40	N/A	Integral	3 circuit (3 ballast) max
36	4/50	N/A	Integral	3 circuit (3 ballast) max
36	4/55	N/A	Integral	3 circuit (3 ballast) max

LDC DIMMING

Fixture Diameter	Uplight lamps	Downlight lamps	DIM1	DIM2	DIM3	DIM4	DIM5
30	4/39	N/A	Yes	Yes	Yes	Yes	No
30	6/39	N/A	Yes	Yes	Yes	Yes	No
36	4/40	N/A	Yes	Yes	Yes	Yes	Yes
36	4/50	N/A	No	No	Yes	Yes	No
36	4/55	N/A	Yes	Yes	No	No	No

LDCD EMERGENCY POWER

Fixture Diameter	Uplight lamps	Downlight lamps	Battery Location	Limitations
30	4/39	2/26	Integral	2 circuit (2 ballast) uplight max
30	6/39	2/26	N/A	N/A
36	4/40	2/26	Integral	2 circuit (2 ballast) uplight max
36	4/50	2/26	Integral	2 circuit (2 ballast) uplight max
36	4/55	2/26	Integral	2 circuit (2 ballast) uplight max
36	6/40	2/26	Integral	2 circuit (2 ballast) uplight max
36	6/50	2/26	Integral	2 circuit (2 ballast) uplight max
36	6/55	2/26	N/A	N/A

LDCD DIMMING

Fixture Diameter	Uplight lamps	Downlight lamps	DIM1	DIM2	DIM3	DIM4	DIM5
30	4/39	2/26	Yes	Yes	Yes	Yes	No
30	6/39	2/26	Yes	Yes	Yes	Yes	No
36	4/40	2/26	Yes	Yes	Yes	Yes	Yes
36	4/50	2/26	No	No	Yes	Yes	No
36	4/55	2/26	Yes	Yes	No	No	No
36	6/40	2/26	Yes	Yes	Yes	Yes	Yes
36	6/50	2/26	No	No	Yes	Yes	No
36	6/55	2/26	Yes	Yes	No	No	No