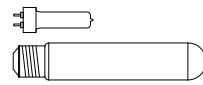


## SPECIFICATIONS



**Housing:** Housing is 20-gauge steel finished in a semi-gloss white powder coat finish.

**Lamp housing/Reflector:** Lamp housing/reflector is extruded, bright dip aluminum with clear anodized finish only. Lamp housing can be rotated for variable aiming.

**Lens:** Lens is hinged and latched and requires no tools to access lamp. Lens is clear tempered glass for 175-watt and above, diffuse tempered glass for 150-watt and below.

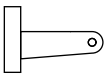
**Mounting:** Fixture may be wall mounted, ceiling mounted, stem mounted, semi-recessed in the wall or ceiling, or pendant mounted in double, triple or quad arrangements.

**Electrical:** Ballasts are high power factor, constant wattage auto transformers. Remote ballasts for T15 lamps are F-can style or core and coil for pulse start. Encapsulated ballasts are optional for remote mounting (ERB option). Consult factory regarding availability. Integral ballasts are encapsulated standard for T15 lamps and electronic for T6 lamps.

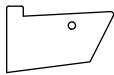
**Lamping:** 150-watt and below are T6, G12 base ceramic metal halide. 175-watt and above are T15, mogul base standard or pulse start metal halide.

**Finish:** Standard color is semi-gloss white powder coat paint. Lamp housing is bright dip, clear anodized only. Other standard colors are available from color chart. Custom colors are available.

**Certification:** UL, CUL, and IBEW labeled.



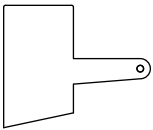
MAZ1-R



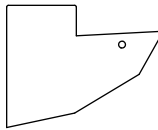
MAZ2-R



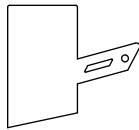
MAZ3-R



MAZ1-I



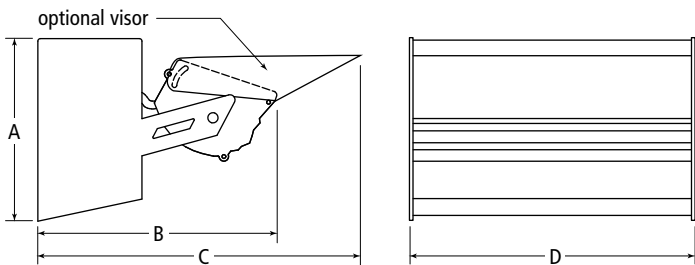
MAZ2-I



MAZ3-I

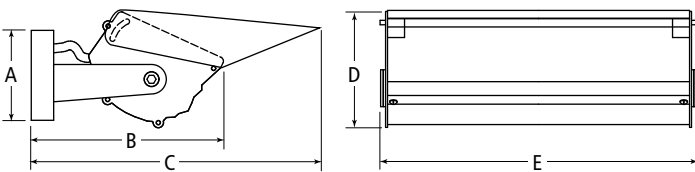


## INTEGRAL BALLAST FIXTURE DIMENSIONS



Series	A	B	C	D
ZAA-10	5 5/16"	9 5/16"	13 7/16"	10"
	135	237	341	254
ZAA-18	5 5/16"	9 5/16"	13 7/16"	19"
	135	237	341	483
ZAA-16	9"	15 1/2"	19 5/8"	16 11/16"
	228	393	498	424

## REMOTE BALLAST FIXTURE DIMENSIONS



Series	A	B	C	D	E
ZAA-16	4"	8 1/2"	12 5/8"	5 5/8"	16 3/4"
	102	216	320	143	425

## EXAMPLE

fixture series	lamp type and wattage	mounting	arm style	ballast	finish	voltage	options
<b>ZAA-16</b>	<b>400MH</b>	<b>WM</b>	<b>MAZ1</b>	<b>R</b>	<b>SGW</b>	<b>120</b>	<b>GLR</b>
ZAA-10 (1 lamp)	70CMHT6-70W T6 ceramic MH	WM-wall mount	MAZ1	I-integral	SGW-semi-gloss white (refer to color chart in Product Selection Guide for other standard colors)	120	GLR-GLR fusing and HLR holder
ZAA-18 (2 lamps)	150CMHT6-150W T6 ceramic MH	CL- ceiling mount	MAZ2	R-remote (ZAA-10 & ZAA-18 are always integral)		277	EL-emergency lighting (100W quartz max.)
ZAA-16 (1 lamp)	175MH-175W T15 metal halide	SR-semi-recessed (not available on ZAA-18)	MAZ3			Dual Quad	SL-stand-by lighting (100W quartz max.)
	250MH-250W T15 metal halide	ST/XX"-twin stem					V-cutoff visor
	400MH-400W T15 metal halide	DB/XX"-double pendant					SHB-box shroud
	200PMH-200W T15 pulse Start metal halide	TR/XX"-triple pendant					SHW-wedge shroud
	320PMH-320W T15 pulse Start metal halide	QD/XX"-quad pendant (XX"=specify length from ceiling to bottom of fixture)					SHC-curved shroud (shrouds are MAZ1 arms only, not for natatorium construction)
	350PMH-350W T15 pulse Start metal halide						NC-natatorium construction
							DTG-diffuse tempered glass
							ERB-encapsulated remote ballast

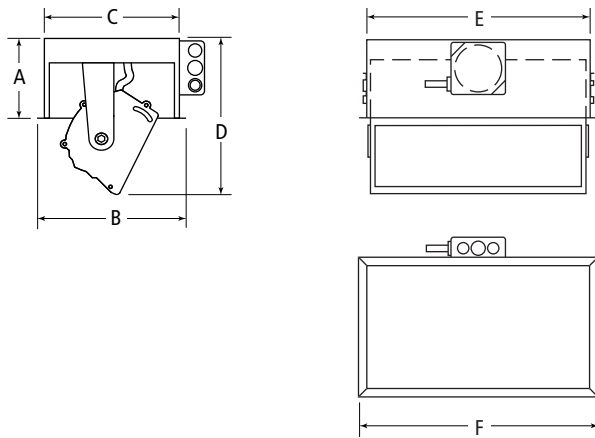
Due to a program of continuous improvement, LAM Lighting reserves the right to make any variation in design or construction to the equipment described.

## ORDER

project name: \_\_\_\_\_ type: \_\_\_\_\_ quantity: \_\_\_\_\_

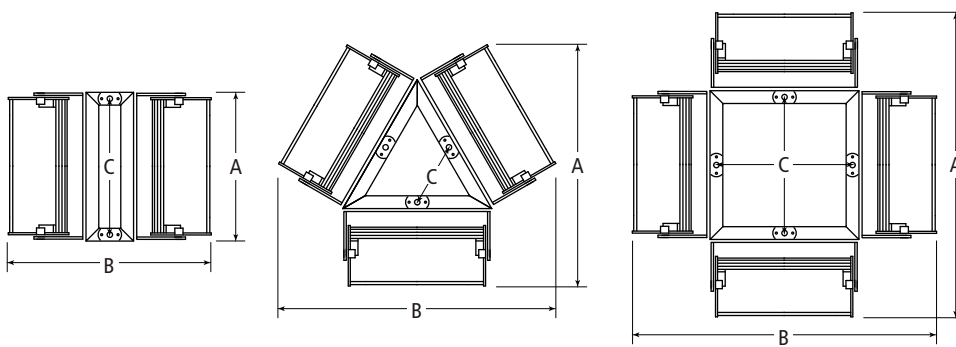
\_\_\_\_\_ - \_\_\_\_\_ - \_\_\_\_\_ - \_\_\_\_\_ - \_\_\_\_\_ - \_\_\_\_\_ - \_\_\_\_\_ - \_\_\_\_\_

**SEMI-RECESSED HOUSING DIMENSIONS**



Series	A	B	C	D	E	F
ZAA-10	6 1/16"	7 3/4"	6 1/2"	9 9/16"	11 13/16"	13"
	154	197	165	243	300	330
ZAA-16	6 1/16"	7 3/4"	6 1/2"	9 9/16"	18 9/16"	19 3/4"
	154	197	165	243	471	501

**MULTIPLE PENDANTS**



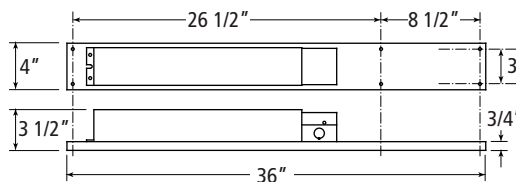
Series	A	B	C
ZAA-16-DB	17 1/4"	19 1/2"	16"
	438	495	406
ZAA-14-TR	26"	30"	7 3/8"
	660	761	187
ZAA-14-QD	32 1/4"	32 1/4"	16"
	819	819	406

**REMOTE BALLAST DIMENSIONS**

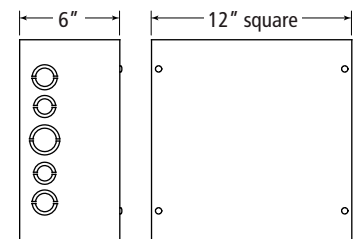
**Ballast to Lamp Remote Mounting Distance**

Lamp	Maximum one-way length of wire between lamp and ballast (feet) Voltage drop limited to 1% of lamp voltage					
Wattage	MH	#10	#12	#14	#16	#18
175	M57	425	265	165	105	65
250	M58	300	190	120	75	45
400	M59	200	125	75	50	30

**Note:** This data does not apply to pulse start lamps. Check ballast manufacturer's specs for most current information.

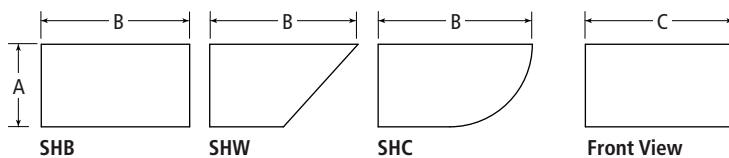


Remote Mounted Ballast  
(F-Can style for 175W MH, 250W MH, 400W MH)



Remote Mounted Ballast Box  
(Core & coil or Encapsulated for 175W MH, 200W PMH, 250W MH, 320PMH, 350W PMH, 400W MH)

**SHROUD DIMENSIONS**



**Integral Ballast**

Series	A	B	C
ZAA-10	8"	18"	14"
	203	457	355
ZAA-16	8"	18"	20 1/4"
	203	457	514
ZAA-18	8"	18"	22 5/8"
	203	457	574

**Note:** MAZ1 arms only.

**Remote Ballast**

Series	A	B	C
ZAA-16	6"	12"	20 1/4"
	152	305	514

**Note:** MAZ1 arms only.