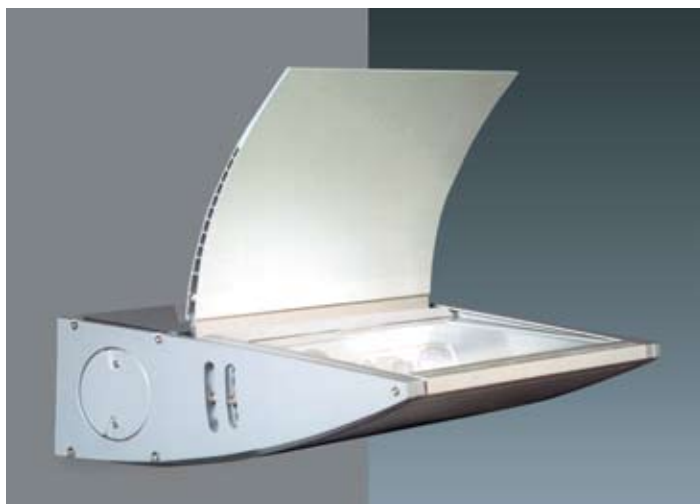


SPECIFICATIONS



Lamp Housing/Reflector: Extruded copper-free aluminum with natural aluminum painted exterior finish and specular reflector. Housing end caps are cast copper-free aluminum. Housing rotates 30° for variable aiming. Stainless steel hardware.

Secondary Reflector: Extruded anodized, copper-free aluminum. Adjustable 30° for variable aiming and cut off. Choose NSR option for no secondary reflector.

Lens: Hinged clear tempered glass with one piece CNC applied silicone gasket. Extruded latch holds lens firmly in place. Easy access to lamp housing with a single twist of a screwdriver.

Ballast Housing: Extruded copper-free aluminum. Ballast cover/arms cast copper-free aluminum. Gasketed with one-piece die-cut silicone. Access cover gasket is one-piece neoprene.

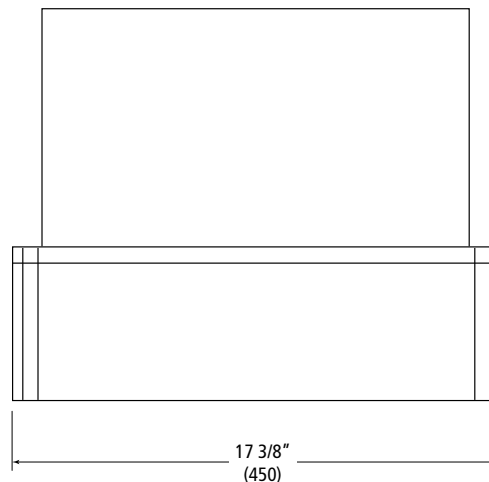
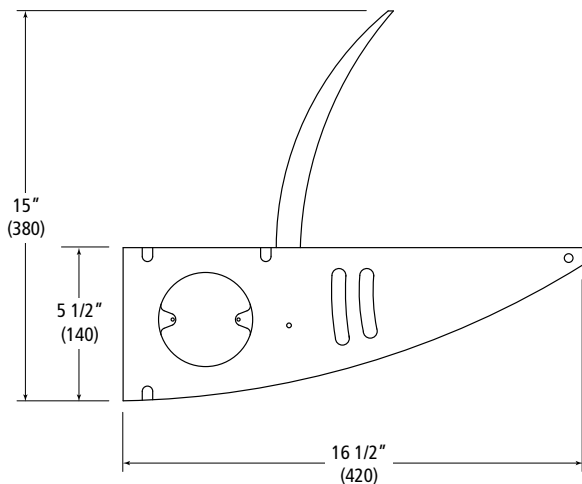
Electrical: Constant wattage auto transformer, core and coil ballast.

Finish: Natural aluminum paint (NAP) is standard or choose from a variety of standard colors on our color chart. Custom colors are available.

Certification: UL Wet location and IP65 listed (damp location option available) CUL, and IBEW labeled.



DIMENSIONS



EXAMPLE

series	lamp type and wattage	mounting	ballast	finish	voltage	options
IN400	400MH	WM	I	SGW	120	GLR
IN400	70CMHT6 -70W T6 ceramic MH 150CMHT6 -150W T6 ceramic MH 150MH -150W ED17 metal halide 175MH -175W T15 metal halide 250MH -250W T15 metal halide 400MH -400W T15 metal halide 200PMH -200W T15 pulse start metal halide 320PMH -320W T15 pulse start metal halide 350PMH -350W T15 pulse start metal halide	WM -wall mount CL -ceiling mount SP/XX "-single pendant DP/XX "-double pendant (XX"=specify length from ceiling to bottom of fixture)	I -integral	NAP -natural aluminum paint (refer to color chart in the Product Selection Guide for other standard colors) CC -custom color	120 277 Dual Quad	GLR -GLR fusing and HLR holder EL -emergency lighting (50W quartz max.) SL -stand-by lighting (50W quartz max.) NC -natorium construction NSR -no secondary reflector DL -damp locations

Due to a program of continuous improvement, LAM Lighting reserves the right to make any variation in design or construction to the equipment described.

ORDER

project name: _____ type: _____ quantity: _____

- - - - - -