

## SPECIFICATIONS



**Lamp Housing/Reflector:** Extruded copper-free aluminum with natural aluminum painted exterior finish and specular reflector. Housing end caps are cast copper-free aluminum. Housing rotates 180° for variable aiming. Stainless steel hardware.

**Lens:** Hinged clear tempered glass with one piece CNC applied silicone gasket.

**Ballast Housing:** Extruded copper-free aluminum. Ballast cover/arms cast copper-free aluminum. Gasketed with one-piece die-cut silicone. Access cover gasket is one-piece neoprene.

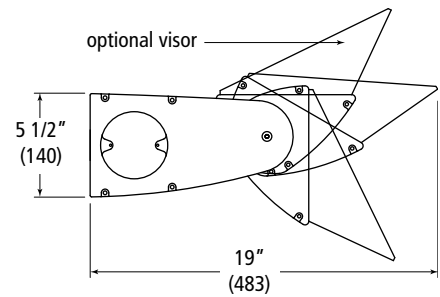
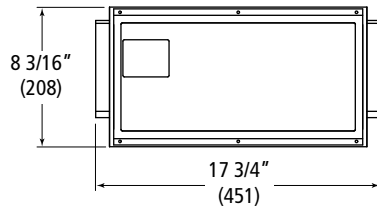
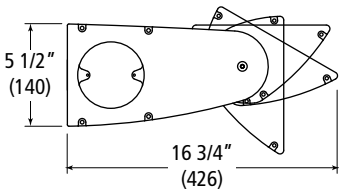
**Electrical:** Constant wattage auto transformer, core and coil ballast.

**Finish:** Natural aluminum paint (NAP) is standard or choose from a variety of standard colors on our color chart. Custom colors are available.

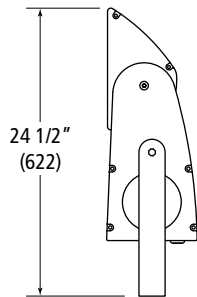
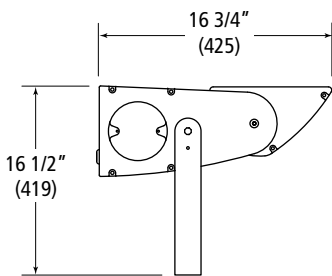
**Certification:** UL Wet location and IP65 listed (damp location option available) CUL, and IBEW labeled.



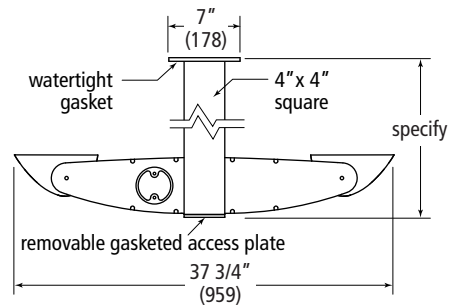
## DIMENSIONS



## GROUND MOUNT



## PENDANT MOUNT



## EXAMPLE

series	lamp type and wattage	mounting	ballast	finish	voltage	options
<b>ECAA-18</b>	<b>400MH</b>	<b>WM</b>	<b>I</b>	<b>SGW</b>	<b>120</b>	<b>GLR</b>
<b>ECAA-18</b>	<b>70CMHT6</b> -70W T6 ceramic MH <b>150CMHT6</b> -150W T6 ceramic MH <b>175MH</b> -175W T15 metal halide <b>250MH</b> -250W T15 metal halide <b>400MH</b> -400W T15 metal halide <b>200PMH</b> -200W T15 pulse start metal halide <b>320PMH</b> -320W T15 pulse start metal halide <b>350PMH</b> -350W T15 pulse start metal halide	<b>WM</b> -wall mount <b>CL</b> -ceiling mount <b>SP/XX</b> "-single pendant <b>DP/XX</b> "-double pendant (XX"=specify length from ceiling to bottom of fixture) <b>GM</b> -ground mount	<b>I</b> -integral	<b>NAP</b> -natural aluminum paint (refer to color chart in the Product Selection Guide for other standard colors) <b>CC</b> -custom color	<b>120</b> <b>277</b> <b>Dual</b> <b>Quad</b>	<b>GLR</b> -GLR fusing and HLR holder <b>EL</b> -emergency lighting (50W quartz max.) <b>SL</b> -stand-by lighting (50W quartz max.) <b>V</b> -cutoff visor <b>NC</b> -natatorium construction <b>DL</b> -damp locations

Due to a program of continuous improvement, LAM Lighting reserves the right to make any variation in design or construction to the equipment described.

## ORDER

project name: \_\_\_\_\_ type: \_\_\_\_\_ quantity: \_\_\_\_\_

-  -  -  -  -  -