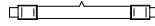


SPECIFICATIONS



Housing: Housing is 20-gauge solid or perforated steel finished in a semi-gloss white powder coat finish. End caps are die cast aluminum.

Reflector: Reflector is high reflectance, specular hammertone aluminum. Lamp housing can be rotated for variable aiming.

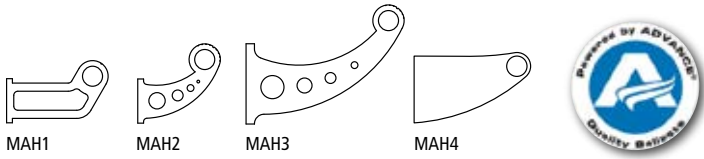
Lens: Lens is hinged and latched and requires no tools to access lamp. Lens is diffuse tempered glass.

Mounting: Fixture may be wall mounted, ceiling mounted, stem mounted, semi-recessed in the wall or ceiling, or pendant mounted in double, triple or quad arrangements.

Lamping: Quartz lamping is 120-volt only.

Finish: Standard color is textured semi-gloss white powder coat paint. Other standard colors are available from color chart. Custom colors are available.

Certification: UL, CUL, and IBEW labeled.



EXAMPLE

fixture series	lamp type and wattage	mounting	arm style	finish	voltage	options
HAA-106	300QT	WM	MAH1	SGW	120	GLR
HAA-106	150QT -150W T4 DC Base Quartz 250QT -250W T4 DC Base Quartz 300QT -300W T3 RSC Base Quartz 350QT -350W T3 RSC Base Quartz 500QT -500W T3 RSC Base Quartz	WM -Wall Mount CL - Ceiling Mount SR -Semi-Recessed ST/XX" -twin stem DB/XX" -double pendant TR/XX" -triple pendant QD/XX" -quad pendant (XX"=specify length from ceiling to bottom of fixture)	MAH1 MAH2 MAH3 MAH4	SGW -semi-gloss white (refer to color chart in Product Selection Guide for other standard colors) CC -custom color	120	GLR -GLR fusing and HLR holder PM -Perforated metal housing (not available with NC) V -Cutoff visor SHB -Box shroud SHW -Wedge shroud SHC -Curved shroud (shrouds are MAH1 arms only, not for natatorium construction) NC -Natatorium construction

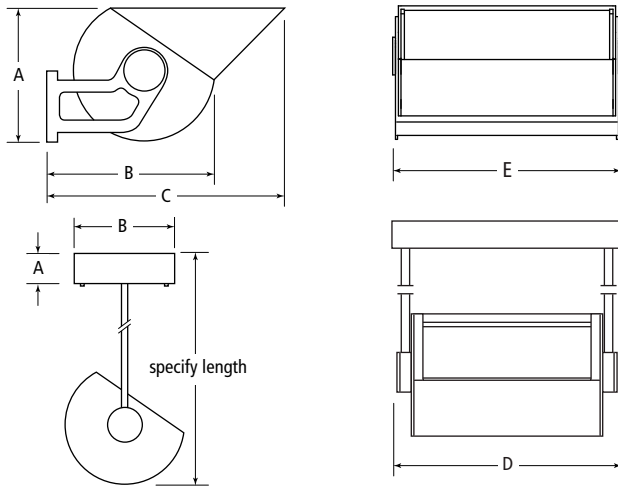
Due to a program of continuous improvement, LAM Lighting reserves the right to make any variation in design or construction to the equipment described.

ORDER

project name: _____ type: _____ quantity: _____

- - - - - -

FIXTURE DIMENSIONS

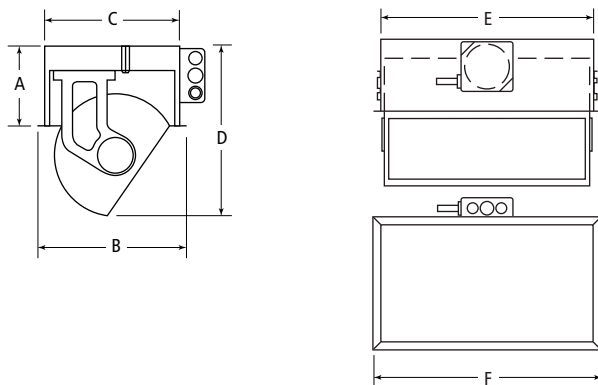


Series	A	B	C	E
106	6 1/16"	6 15/16"	13"	10 3/16"
	154	176	330	259

Note: for MAH3 arm, add 1 7/8" (48) to dimensions B and C, and 1 1/2" (38) to dimension D.

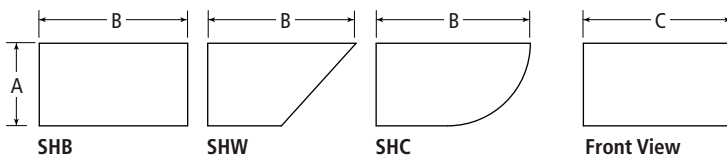
Series	A	B	D
106	1 3/4"	6"	12 1/4"
	44	152	311

SEMI-RECESSED HOUSING DIMENSIONS



Series	A	B	C	D	E	F
106	5 3/4"	8 7/8"	7 3/4"	10 5/8"	11 1/8"	12 3/16"
	146	225	197	270	282	309

SHROUD DIMENSIONS



Series	A	B	C
106	6"	12"	11 1/2"
	152	305	292

Note: MAH1 arms only.