

SPECIFICATIONS



Housing: Housing is 20-gauge solid or perforated steel finished in a semi-gloss white powder coat finish. End caps are die cast aluminum or steel for HAA2516.

Reflector: Reflector is high reflectance, specular hammertone aluminum. Lamp housing can be rotated for variable aiming.

Lens: Lens is hinged and latched and requires no tools to access lamp. Lens is clear tempered glass for 175-watt and above, diffuse tempered glass for 150-watt and below.

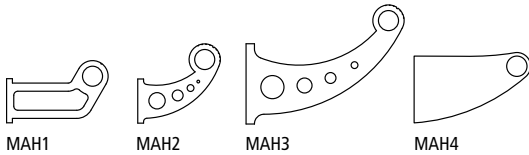
Mounting: Fixture may be wall mounted, ceiling mounted, stem mounted, semi-recessed in the wall or ceiling, cantilever wall mounted, or pendant mounted in double, triple or quad arrangements.

Electrical: Ballasts are high power factor, constant wattage auto transformers. Remote ballasts for T15 lamps standard metal halide are F-can style or core and coil for pulse start. Encapsulated ballasts are optional for remote mounting (ERB option). Consult factory regarding availability. Integral ballasts are encapsulated standard for T15 lamps and electronic for T6 lamps.

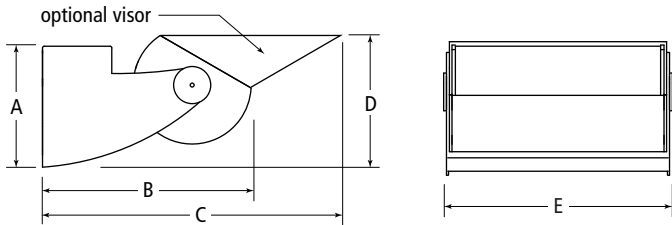
Lamping: 150-watt and below are T6, G12 base ceramic metal halide. 175-watt to 400-watt are T15, mogul base standard or pulse start metal halide. Lamps above 400-watts are BT-37, mogul base.

Finish: Standard color is textured semi-gloss white powder coat paint. Other standard colors are available from color chart. Custom colors are available.

Certification: UL, CUL, and IBEW labeled.



INTEGRAL BALLAST FIXTURE DIMENSIONS



| Series | A | B | C | D | E |
|--------|---------|----------|---------|--------|-----------|
| 106 | 5 5/16" | 9 11/16" | 14 7/8" | 7 3/8" | 10 5/8" |
| | 135 | 246 | 377 | 187 | 270 |
| 206 | 5 5/16" | 9 11/16" | 14 7/8" | 7 3/8" | 19 1/4" |
| | 135 | 246 | 377 | 187 | 489 |
| 158 | 9" | 15 1/2" | 21 3/4" | 10" | 16 15/16" |
| | 228 | 393 | 552 | 253 | 430 |
| 258 | 9" | 15 1/2" | 21 3/4" | 10" | 25 3/4" |
| | 228 | 393 | 552 | 253 | 654 |

Note: for HAA-106 and HAA-206 with MAH3 arm, add 1 7/8" (48) to dimensions B and C, and 1 1/2" (38) to dimension D. For HAA-158 and HAA-258 with MAH3 arm, add 2" (51) to dimensions B and C, and 3 3/8" (86) to dimension D.

EXAMPLE

| fixture series | lamp type and wattage | mounting | arm style | ballast | finish | voltage | options |
|--------------------------|-----------------------------------------------------|------------------------------------------------------------------------------------|-------------|--------------------|----------------------------------------------------------------------------------------------------------|-------------|-----------------------------------------------------------------------------------------|
| HAA-158 | 400MH | WM | MAH1 | R | SGW | 120 | GLR |
| HAA-106 (1 lamp) | 70CMHT6 -70W T6 ceramic MH | WM -wall mount | MAH1 | I -integral | SGW -semi-gloss white | 120 | GLR -GLR fusing and HLR holder |
| HAA-206 (2 lamps) | 150CMHT6 -150W T6 ceramic MH | CL -ceiling mount | MAH2 | R -remote | SGW -semi-gloss white (refer to color chart in Product Selection Guide for other standard colors) | 277 | EL -emergency lighting (100W quartz max.) |
| HAA-158 (1 lamp) | 100MH -100W ED17 metal halide | SR -semi-recessed (not available on HAA-258 or HAA-2516) | MAH3 | | CC -custom color | Dual | SL -stand-by lighting (100W quartz max.) |
| HAA-258 (2 lamps) | 175MH -175W ED17 metal halide | ST/XX "-twin stem pendant | MAH4 | | | Quad | PM -perforated metal housing (not available with NC) |
| | 250MH -250W T15 metal halide | DB/XX "-double pendant | | | | | V -cutoff visor |
| | 400MH -400W T15 metal halide | TR/XX "-triple pendant | | | | | SHB -box shroud |
| | 200PMH -200W T15 pulse start metal halide | QD/XX "-quad pendant (XX"=specify length from ceiling to bottom of fixture) | | | | | SHW -wedge shroud |
| | 320PMH -320W T15 pulse start metal halide | | | | | | SHC -curved shroud (shrouds are MAH1 arms only, not for natatorium construction) |
| | 350PMH -350W T15 pulse start metal halide | | | | | | NC -natatorium construction |
| HAA-2516 (1 lamp) | 1000MH -1000W BT37 metal halide | | | | | | DTG -diffuse tempered glass |
| | 750PMH -750W BT37 pulse start metal halide | | | | | | ERB -encapsulated remote ballast |
| | 1000PMH -1000W BT37 pulse start metal halide | | | | | | |

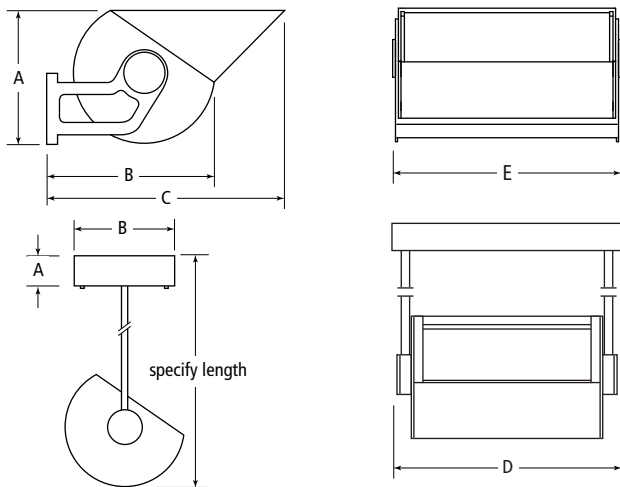
Due to a program of continuous improvement, LAM Lighting reserves the right to make any variation in design or construction to the equipment described.

ORDER

project name: _____ type: _____ quantity: _____

- - - - - - -

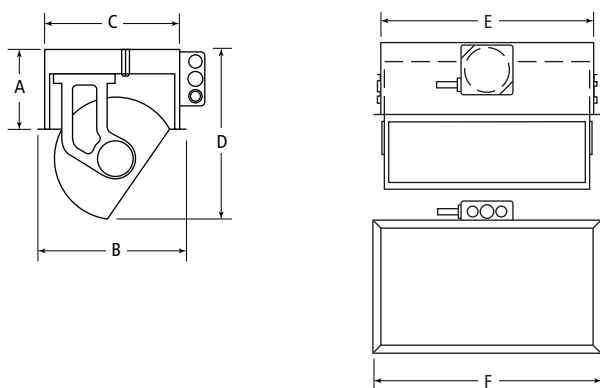
REMOTE BALLAST FIXTURE DIMENSIONS



| Series | A | B | C | E |
|--------|---------|-----------|---------|----------|
| 106 | 6 1/16" | 6 15/16" | 13" | 10 3/16" |
| | 154 | 176 | 330 | 259 |
| 206 | 6 1/16" | 6 15/16" | 13" | 19 1/4" |
| | 154 | 176 | 330 | 489 |
| 158 | 8 3/16" | 10 3/8" | 16 5/8" | 16 1/2" |
| | 208 | 264 | 422 | 419 |
| 258 | 8 3/16" | 18 47/64" | 16 5/8" | 26 5/8" |
| | 208 | 222 | 422 | 676 |
| 2516 | 10 1/2" | 17 9/16" | 28 1/2" | 25 1/2" |
| | 266 | 446 | 723 | 647 |

| Series | A | B | D |
|--------|--------|-----|-----------|
| 106 | 1 3/4" | 6" | 12 1/4" |
| | 44 | 152 | 311 |
| 206 | 1 3/4" | 6" | 20 15/16" |
| | 44 | 152 | 531 |
| 158 | 1 3/4" | 6" | 18 1/2" |
| | 44 | 152 | 470 |
| 258 | 1 3/4" | 6" | 26 3/8" |
| | 44 | 152 | 670 |
| 2516 | 1 3/4" | 6" | 25 1/4" |
| | 44 | 152 | 641 |

SEMI-RECESSED HOUSING DIMENSIONS



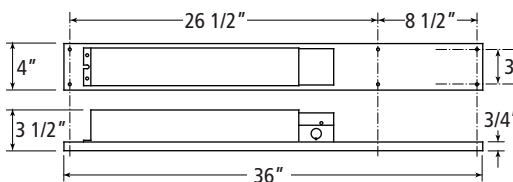
| Series | A | B | C | D | E | F |
|--------|----------|-----------|--------|---------|----------|----------|
| 106 | 5 3/4" | 8 7/8" | 7 3/4" | 10 5/8" | 11 1/8" | 12 3/16" |
| | 146 | 225 | 197 | 270 | 282 | 309 |
| 206 | 5 3/4" | 8 7/8" | 7 3/4" | 10 5/8" | 20" | 21" |
| | 146 | 225 | 197 | 270 | 508 | 533 |
| 158 | 5 13/16" | 10 15/16" | 9 7/8" | 11 1/2" | 17 7/16" | 18 1/2" |
| | 147 | 278 | 251 | 292 | 443 | 470 |

REMOTE BALLAST DIMENSIONS

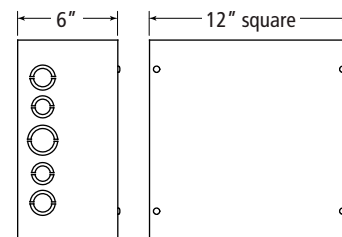
Ballast to Lamp Remote Mounting Distance

| Lamp | | Maximum one-way length of wire between lamp and ballast (feet) Voltage drop limited to 1% of lamp voltage | | | | |
|---------|-----|--------------------------------------------------------------------------------------------------------------|-----|-----|-----|-----|
| Wattage | MH | #10 | #12 | #14 | #16 | #18 |
| 175 | M57 | 425 | 265 | 165 | 105 | 65 |
| 250 | M58 | 300 | 190 | 120 | 75 | 45 |
| 400 | M59 | 200 | 125 | 75 | 50 | 30 |
| 1000 | M47 | 325 | 205 | 125 | 80 | 50 |

Note: This data does not apply to pulse start lamps. Check ballast manufacturer's specs for most current information.

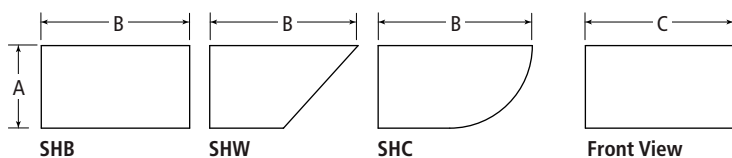


Remote Mounted Ballast (F-Can style for 175W MH, 250W MH, 400W MH)



Remote Mounted Ballast Box (Core & coil or Encapsulated for 175W MH, 200W PMH, 250W MH, 350W PMH, 400W MH, 750W PMH, 1000W MH, 1000W PMH)

SHROUD DIMENSIONS



| Integral Ballast Series | A | B | C |
|-------------------------|---------|-----|---------|
| 106 | 8 5/16" | 15" | 14 1/8" |
| | 211 | 381 | 359 |
| 206 | 8 5/16" | 15" | 23" |
| | 211 | 381 | 584 |
| 158 | 8 5/16" | 18" | 20 1/4" |
| | 211 | 457 | 514 |
| 256 | 8 5/16" | 15" | 30" |
| | 211 | 381 | 761 |
| 258 | 8 5/16" | 18" | 30 5/8" |
| | 211 | 457 | 777 |

Note: MAH1 arms only.

| Remote Ballast Series | A | B | C |
|-----------------------|---------|-----|----------|
| 106 | 6" | 12" | 11 1/2" |
| | 152 | 305 | 292 |
| 206 | 6" | 12" | 20 5/16" |
| | 152 | 305 | 516 |
| 158 | 8 5/16" | 15" | 17 5/8" |
| | 211 | 381 | 447 |
| 258 | 8 5/16" | 15" | 28" |
| | 211 | 381 | 711 |
| 2516 | 15" | 29" | 30" |
| | 381 | 736 | 761 |

Note: MAH1 arms only.