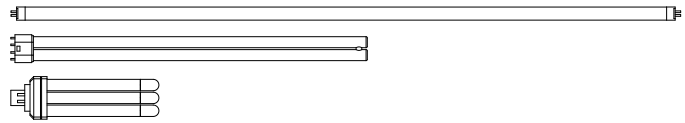


# HORIZONS FLUORESCENT

## SPECIFICATIONS



**Housing:** Housing is 20-gauge solid or perforated steel finished in a semi-gloss white powder coat finish. End caps are die cast aluminum.

**Reflector:** Reflector is high reflectance, specular hammertone aluminum. Lamp housing can be rotated for variable aiming.

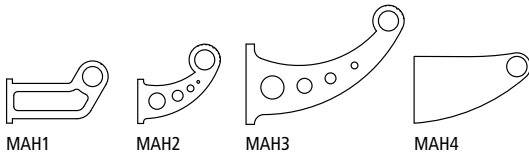
**Lens:** Standard fixture has no lens. Optional clear or prismatic lens is available. Lens is hinged and latched on HAA-158 and HAA-256 and requires no tools to access lamp.

**Mounting:** Fixture may be wall mounted, ceiling mounted, stem mounted, semi-recessed in the wall or ceiling, cantilever wall mounted or pendant mounted in double, triple or quad arrangements.

**Electrical:** Instant start, normal light output, high power factor, sound rated A electronic ballast is standard. Ballast factor for T5 is 1.05 for 120 and 277-Volt and 0.95 for 347-Volt. Ballast factor for T5HO is 1.00. CFL ballasts are electronic and dual voltage. Ballast factor varies, consult factory.

**Finish:** Standard color is textured semi-gloss white powder coat paint. Other standard colors are available from color chart. Custom colors are available.

**Certification:** UL, CUL, and IBEW labeled.



## EXAMPLE

fixture series	lamp type and wattage	mounting	arm style	ballast	finish	voltage	options
<b>HAA-158</b>	<b>70CFL</b>	<b>WM</b>	<b>MAH1</b>	<b>I</b>	<b>SGW</b>	<b>120</b>	<b>GLR</b>
<b>HAA-158</b>	57CFL-57W compact fluorescent 60PLH-60W PL-H fluorescent 70CFL-70W compact fluorescent 85PLH-85W PL-H fluorescent 120PLH-120W PL-H fluorescent	WM-wall mount CL- ceiling mount SR-semi-recessed (not available on HAA-4804) ST/XX"-twin stem STW/XX"-twin stem wall mount (4804 only, 18" max. from wall to outside of fixture) CB/XX"-cable with straight cord (HAA-4804 only) DB/XX"-double pendant TR/XX"-triple pendant QD/XX"-quad pendant (XX"=specify length from ceiling to bottom of fixture)	MAH1 MAH2 MAH3 MAH4	I-integral	SGW-semi-gloss white (refer to color chart in Product Selection Guide for other standard colors) CC-custom color	120 277 347 (40W only)	GLR-GLR fusing and HLR holder PM-perforated metal housing (not available with NC) V-cutoff visor SHB-box shroud SHW-wedge shroud SHC-curved shroud (shrouds are MAH1 arms only, not for natatorium construction) NC-natatorium construction CL-clear acrylic lens PL-prismatic acrylic lens
<b>HAA-256</b>	40BX-40W biaxial fluorescent 50BX-50W biaxial fluorescent 55BX-55W biaxial fluorescent						
<b>HAA-4804</b>	T5-28W T5 fluorescent T5HO-54W T5HO fluorescent						

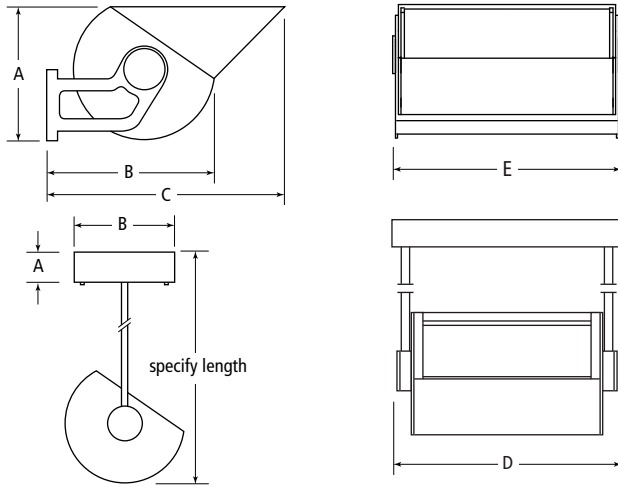
Due to a program of continuous improvement, LAM Lighting reserves the right to make any variation in design or construction to the equipment described.

## ORDER

project name: \_\_\_\_\_ type: \_\_\_\_\_ quantity: \_\_\_\_\_

-  -  -  -  -  -  -

**FIXTURE DIMENSIONS**

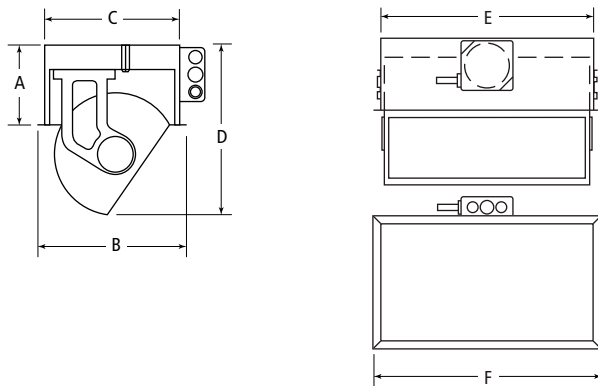


Series	A	B	C	E
158	8 3/16"	10 3/8"	16 5/8"	16 1/2"
	208	264	422	419
256	7 13/16"	9 15/16"	15 3/8"	25 1/2"
	198	236	391	647
4804	4 7/16"	5"	7 7/8"	46 7/8"
	113	127	200	1190

Series	A	B	D
158	1 3/4"	6"	18 1/2"
	44	152	470
256	1 3/4"	6"	26 3/8"
	44	152	670
4804	1 1/16"	4 1/2"	49 7/8"
	27	114	1266

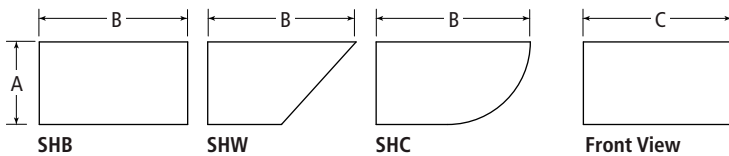
**Note:** for HAA-256 with MAH3 arm, add 1 7/8" (48) to dimensions B and C, and 1 1/2" (38) to dimension D. For HAA-158 with MAH3 arm, add 2" (51) to dimensions B and C, and 3 3/8" (86) to dimension D.

**SEMI-RECESSED HOUSING DIMENSIONS**



Series	A	B	C	D	E	F
158	5 13/16"	10 15/16"	9 7/8"	11 1/2"	17 7/16"	18 1/2"
	147	278	251	291	443	470
256	5 3/4"	8 7/8"	7 3/4"	10 5/8"	26 1/2"	27 1/2"
	146	225	197	270	673	698

**SHROUD DIMENSIONS**



**Integral Ballast**

Series	A	B	C
158	8 5/16"	18"	21 9/16"
	211	457	547
256	8 5/16"	15"	25 11/16"
	211	381	652
4804	5 1/2"	9"	50 7/8"
	140	228	1291

**Note:** MAH1 arms only.